

78x66x50 mm Universal

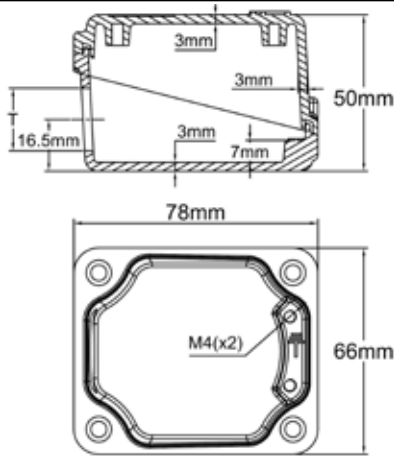
Immersion heaters connection boxes

Dimensions: 78x66x50 mm (1st section)

Material: Die cast aluminum

Type: **Universal**, unlosable stainless steel fasteners, galvanic corrosion protected

Basic references

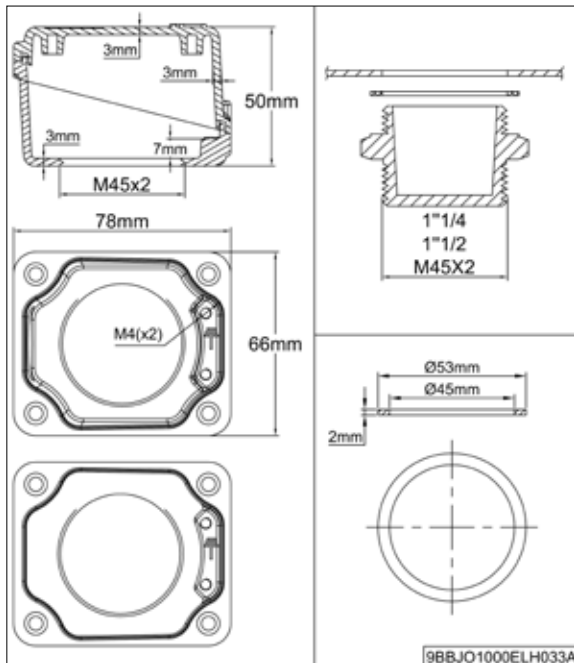


Basic references, sand blasted, no fitting holes, cable gland not included

No cable gland hole.	Y303U00B00TT0XA1
PG11 thread (T)	Y303UM5B00TT0XXA1
M20 x 1.5 thread (T)	Y303UM1B00TT0XA1

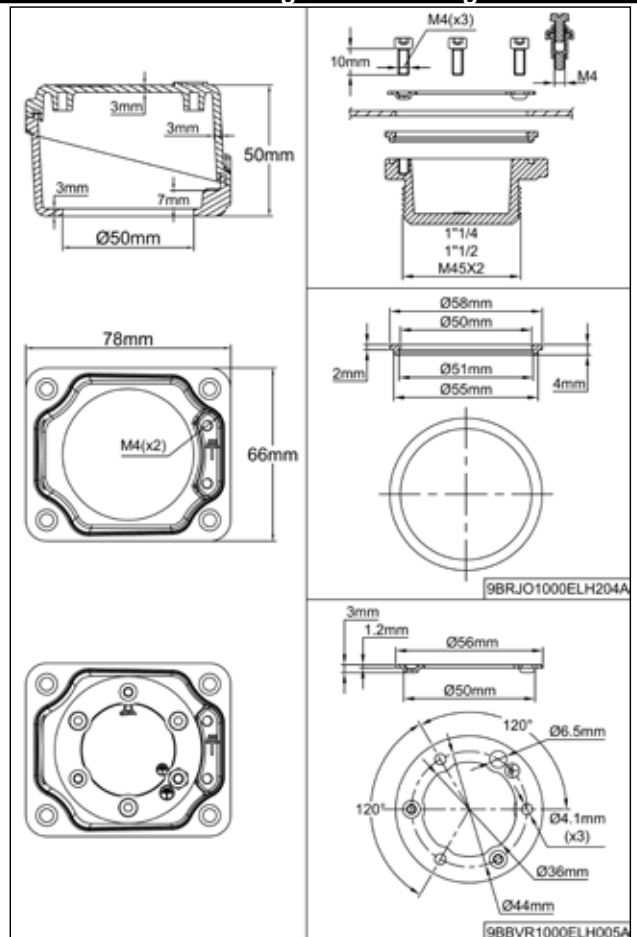
Main fitting configurations

M45 thread for brass fitting direct mounting*



Reference : Replace B00 in the basic reference by B45

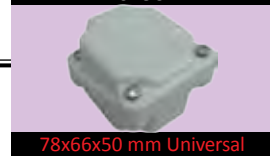
Mobile brass fitting with 3 hole ring dia.50*



Reference : Replace B00 in the basic reference by B34

Immersion heaters connection boxes

Size 3



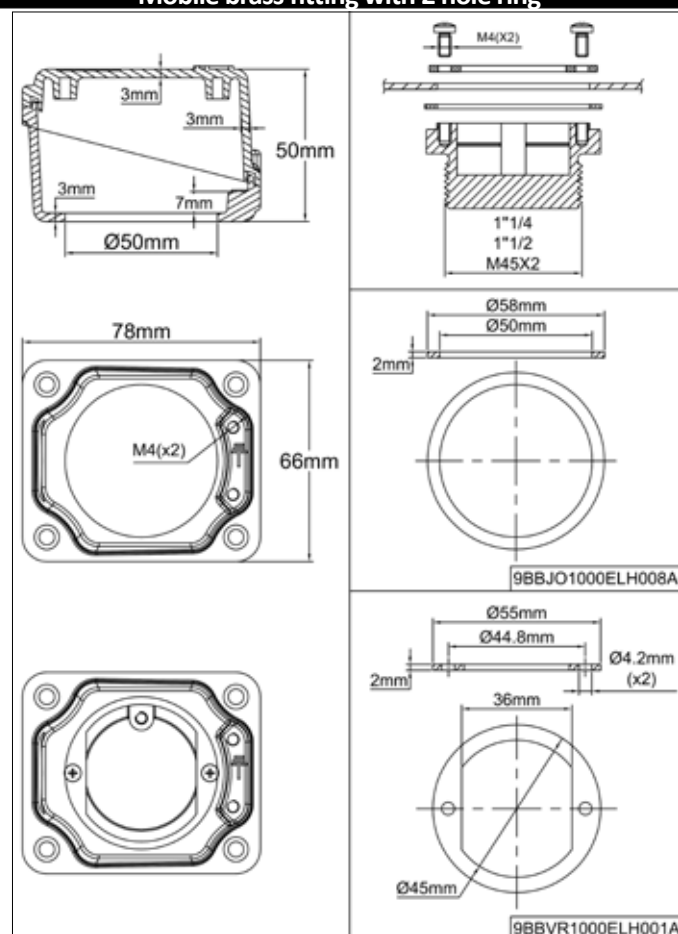
78x66x50 mm Universal

Dimensions: **78x66x50 mm** (2nd section)

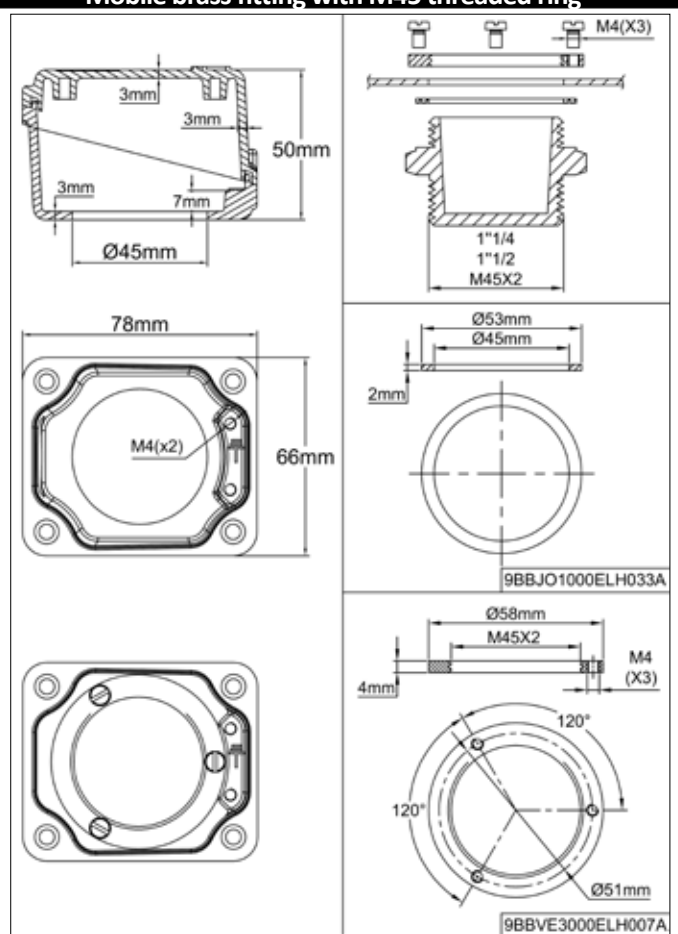
Main fitting configurations

Mobile brass fitting with 2 hole ring*

Mobile brass fitting with M45 threaded ring*



Reference : Replace B00 in the basic reference by B24



Reference : Replace B00 in the basic reference by BR4

* References do not include the brass fitting (See accessories at the end of this catalogue)

Internal accessories: These models cannot receive thermostats but can receive an internal bracket

Because of permanent improvement of our products, drawings, descriptions, features used on these data sheets are for guidance only and can be modified without prior advice

